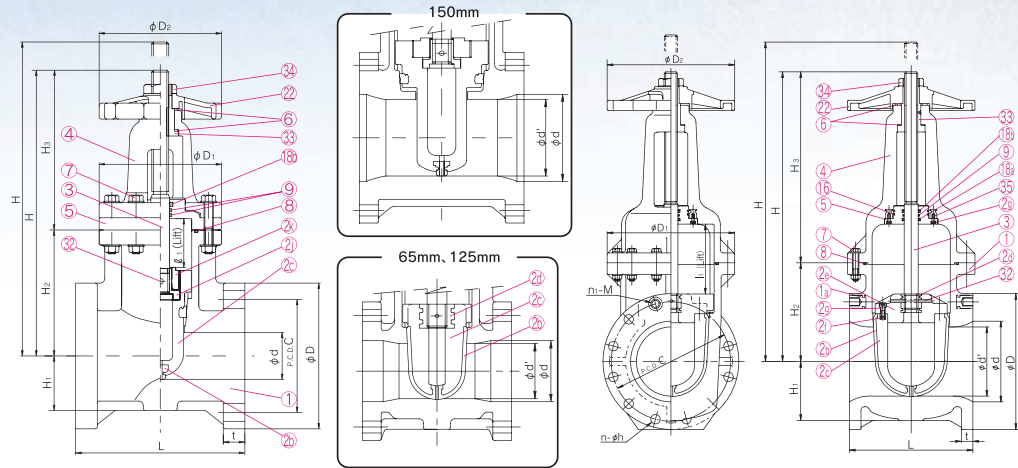


# GATE VALVE (Rising Stem) 40mm - 200mm(1½ inch - 8inch)

## FEATURES

· Externally threaded stem and straight flow channel prevent foreign matter deposits and restrictions through.

- 40mm(1½inch) – 150mm(6inch)  
(besides 65mm(2½inch), 125mm(5inch))
- 65mm(2½inch), 125mm(5inch)
- 200mm(8inch)



## PARTS & MATERIALS

No.	DESCRIPTION	Pcs.	MATERIAL	No.	DESCRIPTION	Pcs.	MATERIAL	No.	DESCRIPTION	Pcs.	MATERIAL
①	BODY	1	HI-PVC	⑳	FEMALE SCREW HOLDER	1	HI-PVC,PVC	㉑	DUST SEAL(A)	1	EPDM, Others
⑫	INSERTED METAL OF BODY	4	COPPER ALLOY(C3604)	㉑	STEM	1	STAINLESS STEEL304	㉒	DUST SEAL(B)	1	NBR
㉒	SEAT	1	SBR,NBR	㉔	BONNET(A)	1	HI-PVC	㉓	HAND WHEEL	1	PP
㉓	GATE(A)	1	HI-PVC,C-PVC	㉕	BONNET(B)	1	HI-PVC,PP	㉔	PIN(A)	1	STAINLESS STEEL304
㉔	INSERTED METAL OF GATE(A)	1	BC6	㉖	THRUST RING	2	PP	㉕	SLEEVE	1	COPPER ALLOY(C3604), BC6
㉕	GATE(B)	1	HI-PVC	㉗	BOLT·NUT	—	STAINLESS STEEL304	㉖	NUT	1	COPPER ALLOY(C3604), BC6
㉖	INSERTED METAL OF GATE(B)	4	COPPER ALLOY(C3604)	㉘	O-RING(B)	1	EPDM, Others	㉗	INSERTED METAL OF BONNET	4	COPPER ALLOY(C3604)
㉗	BOLT(A)	4	STAINLESS STEEL304	㉙	O-RING(C)	2·1	EPDM, Others				
㉘	FEMALE SCREW METAL	1	COPPER ALLOY(C3604)	㉚	O-RING(D)	2	EPDM, Others				

## DIMENSIONS TABLE

Nominal Size		d	d <sub>1</sub>	JIS 10K					L	t	D <sub>1</sub>	D <sub>2</sub>	ℓ	H	H <sub>1</sub>	H <sub>2</sub>
mm	inch			D	C	n	h	n <sub>1</sub> -M								
40	1½	40	—	140	105	4	19	—	165	22	120	120	42	295	107	253
50	2	50	—	155	120	4	19	—	180	23	130	130	52	343	134	291
65	2½	65	—	175	140	4	19	—	190	24	155	155	67	407	152	340
80	3	75	—	185	150	8	19	—	200	25	170	170	77	450	170	373
100	4	100	—	210	175	8	19	—	230	27	195	195	102	564	207	462
125	5	125	110	250	210	8	23	—	260	27	235	235	112	593	227	481
150	6	150	130	280	240	8	23	—	270	28	270	270	132	690	263	558
200	8	196	168	330	290	10	23	2-M20	290	28	310	310	175	877	240	702

Nominal Size		d	d <sub>1</sub>	DIN PN10					L	t	D <sub>1</sub>	D <sub>2</sub>	ℓ	H	H <sub>1</sub>	H <sub>2</sub>
mm	inch			D	C	n	h	n <sub>1</sub> -M								
40	1½	40	—	150	110	4	18	—	165	22	120	120	42	295	107	253
50	2	50	—	165	125	4	18	—	180	23	130	130	52	343	134	291
65	2½	65	—	185	145	4	18	—	190	24	155	155	67	407	152	340
80	3	75	—	200	160	8	18	—	200	25	170	170	77	450	170	373
100	4	100	—	200	180	8	18	—	230	27	195	195	102	564	207	462
125	5	125	110	250	210	8	18	—	260	27	235	235	112	593	227	481
150	6	150	130	285	240	8	23	—	270	28	270	270	132	690	263	558
200	8	196	168	340	295	6	23	2-M20	290	28	310	310	175	877	240	702

Nominal Size		d	d <sub>1</sub>	ANSI Class 150					L	t	D <sub>1</sub>	D <sub>2</sub>	ℓ	H	H <sub>1</sub>	H <sub>2</sub>
inch	mm			D	C	n	h	n <sub>1</sub> -M								
1½	40	1.57	—	5.00	3.88	4	0.63	—	6.50	0.87	4.72	4.72	1.65	11.61	4.21	9.96
2	50	1.97	—	5.98	4.47	4	0.75	—	7.01	0.91	5.12	5.12	2.05	13.50	5.28	11.46
2½	65	2.56	—	7.01	5.49	4	0.75	—	7.48	0.94	6.10	6.10	2.64	16.02	5.98	13.39
3	80	2.95	—	7.52	6.00	4	0.75	—	7.99	0.98	6.69	6.69	3.03	17.72	6.69	14.69
4	100	3.94	—	9.02	7.50	8	0.75	—	9.02	1.06	7.68	7.68	4.02	22.20	8.15	18.19
5	125	4.92	4.33	10.00	8.50	8	0.87	—	10.24	1.06	9.25	9.25	4.41	23.35	8.94	18.94
6	150	5.91	5.12	10.98	9.51	8	0.87	—	10.51	1.06	10.63	10.63	5.20	27.17	10.35	21.97
8	200	7.72	6.61	13.50	11.75	6	0.87	2-W¾	11.50	1.10	12.20	12.20	6.89	34.53	9.45	27.64