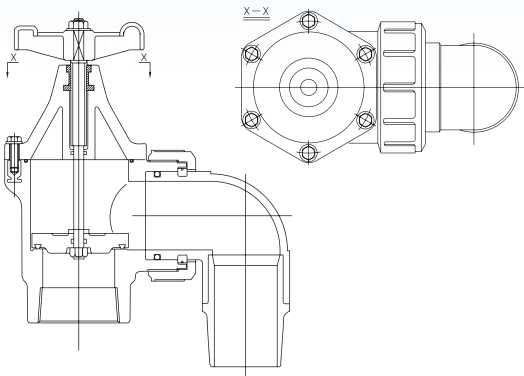


ROTARY ANGLE VALVE 50mm, 80mm(2inch, 3inch)

Secured handle type T-shaped handle type



●80mm(3inch)ROTARY ANGLE VALVE (Threaded End)

FEATURES

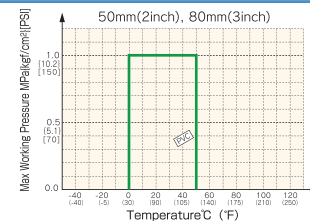
- The ASAHI ROTARY ANGLE VALVE is more compact than conventional angle valves.
- Because the ROTARY ANGLE VALVE uses a Machino, elbow, or hose socket type receptacle, it can be installed in a small valve box. Only by replacing its attachment, the valve can easily be switched between paddy field and field types.

SPECIFICATIONS

Body material	PVC
Nominal size	50mm(2inch), 80mm(3inch)
Max. Working Pressure	0.75MPa{7.7kgf/cm ² }
Attachment Angle	90° (45° ·straight)
Type of Attachment	Machino:40,50,65,80mm(standard) Paddy fields:50,80mm(special elbow) Fields:50,80mm(hose joint)
End Connectors	Socket End, Flanged End, Threaded End
Operation	T-shaped handle, Secured handle

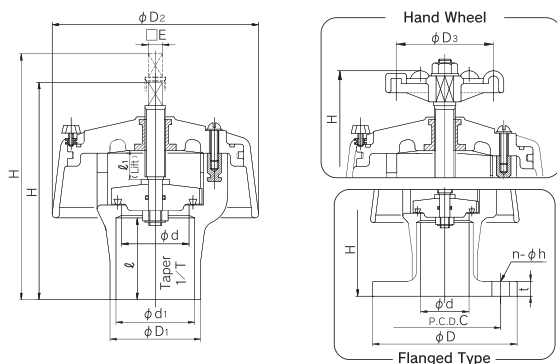
WORKING PRESSURE VS. TEMPERATURE

ROTARY ANGLE VALVE



ALFALFA VALVE TYPE 82 50mm - 100mm(2inch - 4inch)

T-shaped handle type Secured handle type



FEATURES

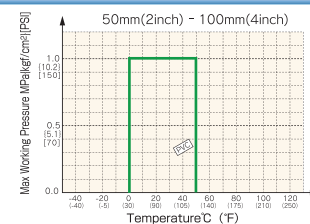
- Taking every effort to obtain satisfactory appearance, watertightness and strength, we have innovatively designed ALFALFA VALVE TYPE 82 to prevent water scattering and damage to surrounding rice plants. TYPE 82 can easily be disassembled at a site because it consists of a reduced number of parts. If foreign material clogs the valve, it can easily be eliminated only by closing the valve, loosening the thumbscrew and removing the cover (the pump does not need to be stopped).

SPECIFICATIONS

Body material	PVC
Nominal size	50mm(2inch), 80mm(3inch), 100mm(4inch)
Max. Working Pressure	1.0MPa{10.2kgf/cm ² }
End Connectors	Socket End, Flanged End
Operation	T-shaped handle, Secured handle

WORKING PRESSURE VS. TEMPERATURE

ALFALFA VALVE



DIMENSIONS TABLE

Nominal Size	d		Flanged Type				Socket Type			H					H(full opened)								
			JIS 10K				t	d ₁	1/T	ℓ	D ₁	D ₂	D ₃	E	ℓ ₁	Socket End		Flanged End					
			D	C	n	h										T-shaped handle	Secured handle	T-shaped handle	Secured handle				
50	2	52	155	120	4	19	16	60.80	1/37	63	70	160	75	11	25	162	163	178	179	187	188	203	204
80	3	78	185	150	8	19	18	89.80	1/43	72	101	190	110	11	35	196	209	214	227	231	244	249	262
100	4	100	210	175	8	19	18	115.00	1/44	92	129	220	110	11	45	246	261	264	279	291	306	309	324