

TRUE UNION DIAPHRAGM VALVE TYPE 14 15mm - 50mm(1/2inch - 2inch)



FEATURES

Easy Maintenance

The valve body can be removed from the pipe line by loosening the union nuts at both ends.

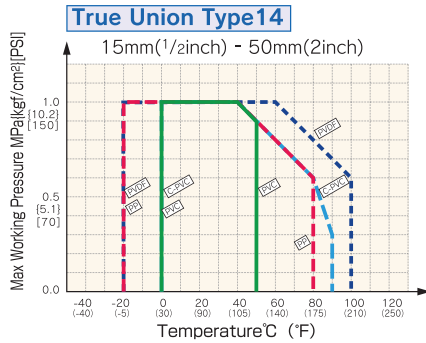
Bottom Stand for Easy Support

Having a new bottom stand with an insert hole, DIAPHRAGM VALVE TYPE 14 helps support the piping. The valve is also provided with a flange stand to increase installation safety.

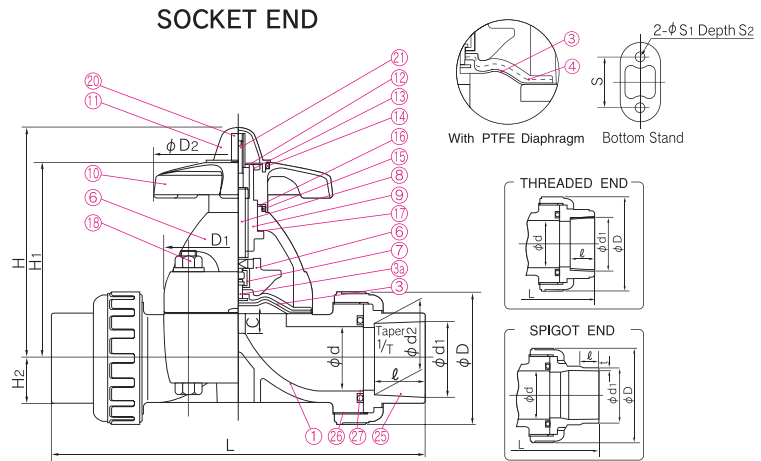
MATERIAL AND WORKING TEMPERATURE

Body Material	Nominal Size mm(inch)	Working Temperature °C (°F)	Max. Working Pressure at 20°C(70°F) MPa{kgf/cm²}[PSI]	End Connectors
Unplasticized Polyvinyl Chloride(PVC)	15 - 50(1/2 - 2)	0 - 50(30 - 120)	1.0{10.2}[150]	Socket End. Threaded End
Chlorinated Polyvinyl Chloride(C-PVC)	15 - 50(1/2 - 2)	0 - 90(30 - 195)	1.0{10.2}[150]	Socket End. Threaded End
Polypropylene(PP)	15 - 50(1/2 - 2)	-20 - 80(-5 - 175)	1.0{10.2}[150]	Socket End. Threaded End
Polyvinylidene Fluoride(PVDF)	15 - 50(1/2 - 2)	-20 - 100(-5 - 210)	1.0{10.2}[150]	Socket End. Threaded End. Spigot End

WORKING PRESSURE VS. TEMPERATURE



DIMENSION



PARTS & MATERIALS

No.	DESCRIPTION	Pcs.	MATERIAL	No.	DESCRIPTION	Pcs.	MATERIAL
①	BODY	1	BODY/BONNET PVC/PVC C-PVC/PP PP/PP	⑪	GAUGE COVER	1	PC
②	BONNET		PVDF/PPG PVDF/PVDF	⑫	NAME PLATE	1	PVC
③	DIAPHRAGM	1	EPDM IIR NBR,CSM CPE,FKM VIFLON C (FKM-C) VIFLON F (FKM-F) PTFE	⑬	RETAINING RING-C TYPE	1	STAINLESS STEEL304
⑳	INSERTED METAL OF DIAPHRAGM		1	STAINLESS STEEL304	⑭	O-RING(A)	1
④	CUSHION	1	EPDM*	⑮	O-RING(B)	1	EPDM
⑥	COMPRESSOR	1	PVDF	⑯	THRUST RING(A)	1	UHMWPE
⑦	JOINT	1	STAINLESS STEEL304	⑰	THRUST RING(B)	1	UHMWPE
⑧	STEM	1	COPPER ALLOY(C3604)	⑱	BOLT·NUT	4	STAINLESS STEEL304
⑨	SLEEVE	1	COPPER ALLOY(C3604)	㉑	STOPPER	1	COPPER ALLOY(C3604)
⑩	HAND WHEEL	1	PP	㉒	SCREW	1	STAINLESS STEEL304
				㉓	ENDCONNECTOR	2	PVC C-PVC PP PVDF
				㉔	UNION NUT	2	PVDF
				㉕	O-RING(C)	2	EPDM FKM Others

