

Diaphragm Valve Type 14 (Pneumatic Actuated Type AN) 15mm-50mm (1/2 inch-2 inch)

Body Material

PVC
C-PVC
PP
PVDF

Diaphragm Material

PTFE
EPDM
FKM
Viflon C (FKM-C)
Viflon F (FKM-F)

Connection Standard

JIS 10K
ANSI CLASS150
DIN PN10

Action

Double Acting
Air to Open
Air to Close

Equipment

Indicator

Option

- Filter Regulator
- Solenoid Valve
- Limit Switch ※1
- Speed Controller
- Manual Override (for only air to open)
- Positioner

※1: Working Pressure with Limit Switch is 0.6MPa at maximum.



FEATURES

- The Actuator made of resin is Light and Compact.
- NAMUR Standard is applied for Air Piping.
- All optional Equipment (except positioner) can easily be added or removed in the field.
- A Closing Travel Stop Mechanism is Standard.

OPTIONAL EQUIPMENT

| Combination No. | 1 | 2 | 3 | 4 | 5 | 6 | 7 | 8 | 9 |
|------------------------------------|---|---|---|---|---|---|---|---|---|
| Solenoid Valve ※ | ○ | — | — | ○ | ○ | — | ○ | — | — |
| Filter Regulator | ○ | — | — | ○ | — | — | ○ | — | — |
| Speed Controller | ◎ | ○ | — | ◎ | ◎ | ○ | ◎ | — | — |
| Limit Switch | — | — | ○ | — | ○ | ○ | ○ | — | — |
| Positioner (electric-air, air-air) | — | — | — | — | — | — | — | ○ | ○ |

◎ Indicates specialized for Solenoid Valve.

※ With built-in speed controller and bypass valve.

ACTUATOR SPECIFICATION [Double Acting]

| Nominal Size mm(inch) | 15(1/2) | 20(3/4) | 25(1) | 32(1 1/4) | 40(1 1/2) | 50(2) |
|---|---------------------|---------|--------|-----------|-----------|--------|
| Actuator Type | AN-1DA | | AN-2DA | | AN-3DA | AN-4DA |
| Operating Pressure Mpa(kgf/cm ²) | 0.4{4.1} - 0.6{6.1} | | | | | |
| Air Consumption NI /open & close (at operating pressure 0.4NPa) | 2.6 | 2.6 | 2.7 | 2.7 | 9.6 | 9.8 |
| Air Supply Bore | Rc 1/4 | | | | | |

ACTUATOR SPECIFICATION [Air to Open]

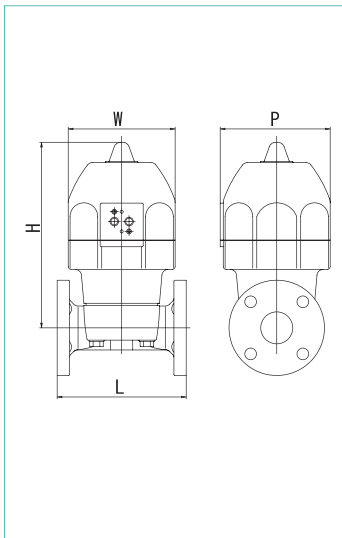
| Nominal Size mm(inch) | 15(1/2) | 20(3/4) | 25(1) | 32(1 1/4) | 40(1 1/2) | 50(2) |
|---|---------------------|---------|--------|-----------|-----------|--------|
| Actuator Type | AN-1AO | | AN-2AO | | AN-3AO | AN-4AO |
| Operating Pressure Mpa(kgf/cm ²) | 0.4{4.1} - 0.6{6.1} | | | | | |
| Air Consumption NI /open & close (at operating pressure 0.4NPa) | 0.8 | 0.8 | 0.8 | 0.8 | 3.4 | 3.4 |
| Air Supply Bore | Rc 1/4 | | | | | |

ACTUATOR SPECIFICATION [Air to Close]

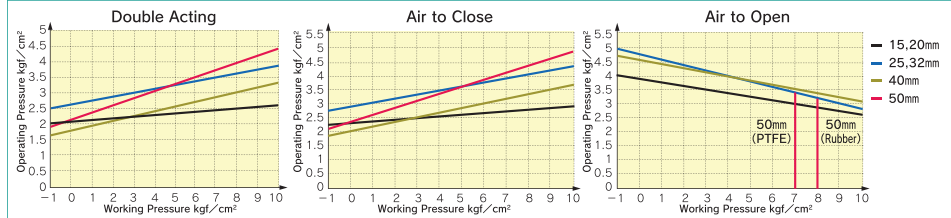
| Nominal Size mm(inch) | 15(1/2) | 20(3/4) | 25(1) | 32(1 1/4) | 40(1 1/2) | 50(2) |
|---|---------------------|---------|--------|-----------|-----------|--------|
| Actuator Type | AN-1AS | | AN-2AS | | AN-3AS | AN-4AS |
| Operating Pressure Mpa(kgf/cm ²) | 0.4{4.1} - 0.6{6.1} | | | | | |
| Air Consumption NI /open & close (at operating pressure 0.4NPa) | 1.8 | 1.8 | 1.9 | 1.9 | 6.1 | 6.3 |
| Air Supply Bore | Rc 1/4 | | | | | |

* for the actuator with lubricant free valves consult near Asahi dealer.

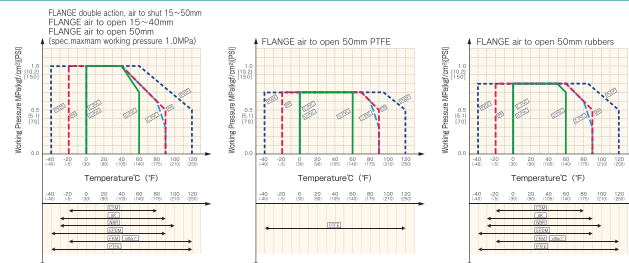
DIMENSIONS FIGURE



OPERATION PRESSURE vs WORKING PRESSURE



WORKING PRESSURE VS. TEMPERATURE



DIMENSIONS TABLE

| JIS, ANSI, DIN | | | | | | | Unit:mm(inch) | |
|----------------|------|------------|-----------|-----------|-----------|------------|---------------|-----------|
| Nominal Size | | 15(1/2) | 20(3/4) | 25(1) | 32(1 1/4) | 40(1 1/2) | 50(2) | |
| L | JIS | 110(4.33) | 120(4.72) | 130(5.12) | 142(5.59) | 180(7.09) | 210(8.27) | |
| | DIN | 130(5.12) | 150(5.91) | 160(6.30) | 180(7.09) | 200(7.87) | 230(9.06) | |
| | ANSI | A Standard | 110(4.33) | 120(4.72) | 130(5.12) | — | 180(7.09) | 210(8.27) |
| | | G Standard | 108(4.25) | 149(5.88) | 149(5.88) | 213(6.38) | 176(6.94) | 202(7.94) |
| H | | 186(7.32) | 188(7.4) | 193(7.6) | 197(7.76) | 293(11.54) | 302(11.89) | |
| W | | 130(5.12) | 130(5.12) | 130(5.12) | 130(5.12) | 174(6.85) | 174(6.85) | |
| P | | 133(5.24) | 133(5.24) | 133(5.24) | 133(5.24) | 179(7.05) | 179(7.05) | |