

# BUTTERFLY VALVE TYPE 56 400mm(16inch)



## FEATURES

### Easy Transformation of Operation Devices

Application of modular design on top flange provides the valve with flexible and easy change of operation types, and from manual to automatic and so on.

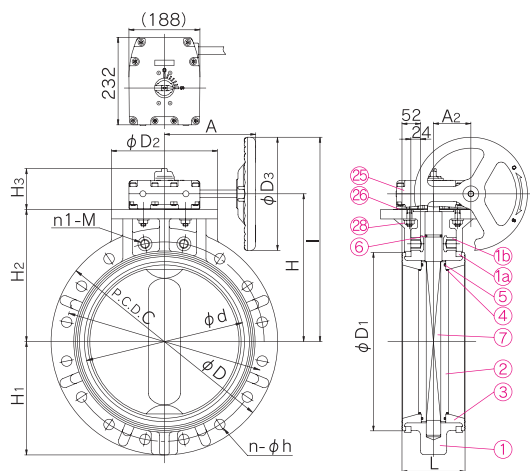
#### Option

Long stem type and chain drive type are available on special request.

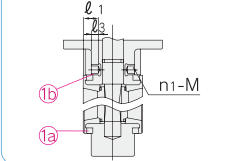
## SPECIFICATIONS

Body material	Nominal size mm(inch)	Working Temperature °C (°F)	Max. Working Pressure (at R.T.) MPa[kgf/cm <sup>2</sup> ] [PSI]	
			400mm(16inch)	
PP	400(16)	-20 - 80(-5 - 175)	0.6{6.1}	[87]
PVDF	400(16)	-20 - 120(-5 - 250)	0.6{6.1}	[87]

※R.T. ... Room Temperature



#### DETAIL OF INSERTED NUTS



NOM. SIZE mm inch	M	BOLT HOLES n	Q'TY OF INSERTED NUT		l <sub>1</sub>	l <sub>3</sub>
			UPPER	TOTAL (2×n1)		
400 16	M24	14	2×2	4	52	24

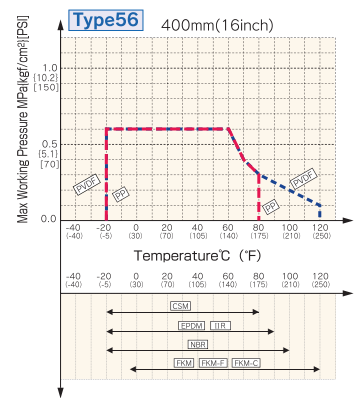
※JIS 10K 400mm(16inch)only

## PARTS & MATERIALS

No.	DESCRIPTION	Pcs.	MATERIAL
①	BODY	1	BODY/DISC PP/PP PVDF/PVDF
②	DISC	1	PVDF/PVDF
③	STEM SEAT	1	EPDM,FKM,OTHERS
④	O-RING(A)	2	EPDM,FKM,OTHERS
⑤	O-RING(B)	2	EPDM,FKM,OTHERS
⑥	O-RING(C)	1	EPDM,FKM,OTHERS
⑦	STEM	1	STAINLESS STEEL(SUS403)
Ⓒ	GEAR BOX	1	PLASTIC etc.
Ⓓ	BOLT (C)	1	STAINLESS STEEL304
Ⓔ	RING 1)	2	STEEL(SS400)
Ⓕ	INSERTED METAL OF BODY 2)	4	COPPER ALLOY(C3604)

Note: 1 ) Used for PP body: with epoxy powder coat  
2 ) Used for JIS 10K400mm(16inch)

## WORKING PRESSURE VS. TEMPERATURE



## DIMENSIONS TABLE

JIS		JIS 10K																	Unit:mm	
Nominal Size mm inch	d	C n h n <sub>1</sub> M						D	D <sub>1</sub>	D <sub>2</sub>	D <sub>3</sub>	L	H	H <sub>1</sub>	H <sub>2</sub>	H <sub>3</sub>	I	A	A <sub>2</sub>	Number of handle rotation
		400 16	406	510	14	27	2													

DIN		DIN PN 10																	Unit:mm
Nominal Size mm inch	d	C n h			D	D <sub>1</sub>	D <sub>2</sub>	D <sub>3</sub>	L	H	H <sub>1</sub>	H <sub>2</sub>	H <sub>3</sub>	I	A	A <sub>2</sub>	Number of handle rotation		
		400 16	406	515														16	26

ANSI		ANSI Class 150																	Unit:inch
Nominal Size inch mm	d	C n h			D	D <sub>1</sub>	D <sub>2</sub>	D <sub>3</sub>	L	H	H <sub>1</sub>	H <sub>2</sub>	H <sub>3</sub>	I	A	A <sub>2</sub>	Number of handle rotation		
		16 400	15.98	21.25														16	1.12