

DIAPHRAGM VALVE TYPE-AI

DIAPHRAGM VALVE PNEUMATIC ACTUATED TYPE-AI

T.U. DIAPHRAGM VALVE TYPE-AI

TRUE UNION DIAPHRAGM VALVE PNEUMATIC ACTUATED TYPE-AI

Features

Extended Cycle Life

High Cycle Life Due to Unique Construction
(Passed 500 K Valve Cycle Test)

Compact Design

Light Weight and Minimal Overall Height

Excellent Corrosion Resistance

All Wetted Parts are made of Corrosion Resistant Thermoplastics



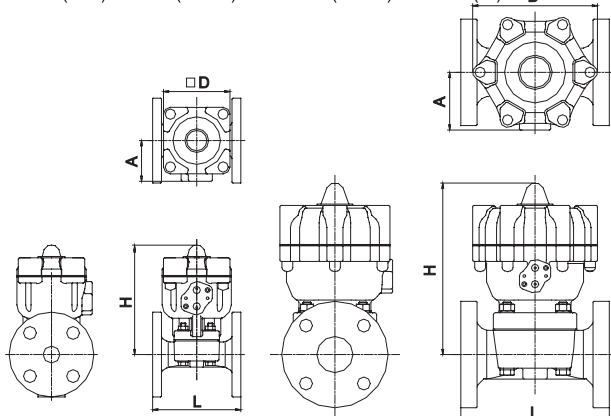
40mm(1-1/2") - 50mm(2")

15mm(1/2") - 32mm(1-1/4")

DIMENSIONS

15mm(1/2") - 32mm(1-1/4")

40mm(1-1/2") & 50mm(2")



*Consult Near Dealer for True Union Valve Dimensions

DIMENSIONS TABLES

Size mm (")		15 (1/2")	20 (3/4")	25 (1")	32 (1 1/4")	40 (1 1/2")	50 (2")
D	Common	86 (3.39")		98 (3.86")		138 (5.44")	
	A	53 (2.09)		60 (2.37)		85 (3.35)	
H	Common	145 (5.71)	147 (5.79)	161 (6.34)	165 (6.5)	247 (9.73)	252 (9.93)
	L	Flanged-ANSI (G-standard) (All Materials)	108 (4.25)	149 (5.88)	149 (5.88)	162 (6.38)	176 (6.94)
L	Flanged-ANSI (A-Standard) (All Materials)	110 (4.33)	120 (4.72)	130 (5.12)	-	180 (7.09)	210 (8.27)
	Flanged-DIN (All Materials)	130 (5.12)	150 (5.91)	160 (6.3)	180 (7.09)	200 (7.88)	230 (9.06)
	Flanged-JIS (All Materials)	110 (4.34)	120 (4.73)	130 (5.12)	142 (5.6)	180 (7.09)	210 (8.27)
	(All Materials)						

OPTION



SPECIFICATION

Size mm (")		15mm(1/2")	20mm(3/4")	25mm(1")	32mm(1-1/4")	40mm(1-1/2")	50mm(2")
Action		Double Acting, Air to Open, Air to Close					
Body Material		PVC, CPVC, PP, PVDF					
Diaphragm Material		EPDM, PTFE, FKM, FKM-F, FKM-C					
Actuator Material		PPG - Black					
Connection		JIS, DIN, ANSI					
End Connector		Flanged, Threaded (T.U.), Socket End (T.U.)					
Max Allowable Pressure		0.7 MPa, (7 Bar), [100PSI]					
Option		Solenoid Valve, Limit Switch, Full Opening Adjustment Mechanism, Positioner, Speed Controller					
Operating Pressure		0.4MPa (57PSI) - 0.6MPa (85PSI)					
Air Consumption (NI/Open&Close) (At O/P 0.4MPa)	Double Act	0.89	0.89	1.29	1.29	4.35	4.80
	Air - Open	0.35	0.35	0.49	0.49	1.73	1.98
	Air - Close	0.54	0.54	0.79	0.79	2.63	2.82
Air Supply Port		Rc 1/4					

Valve & Piping Systems Administration: 15-9 Uchikanda 2-Chome Chiyoda-Ku Tokyo Japan 101-0047
Tel: +81-3-3254-8177, Fax: +81-3-3254-3473, Internet: <http://www.asahi-yukizai.co.jp/en/>



ASAHI ORGANIC CHEMICALS INDUSTRY CO.,LTD.