

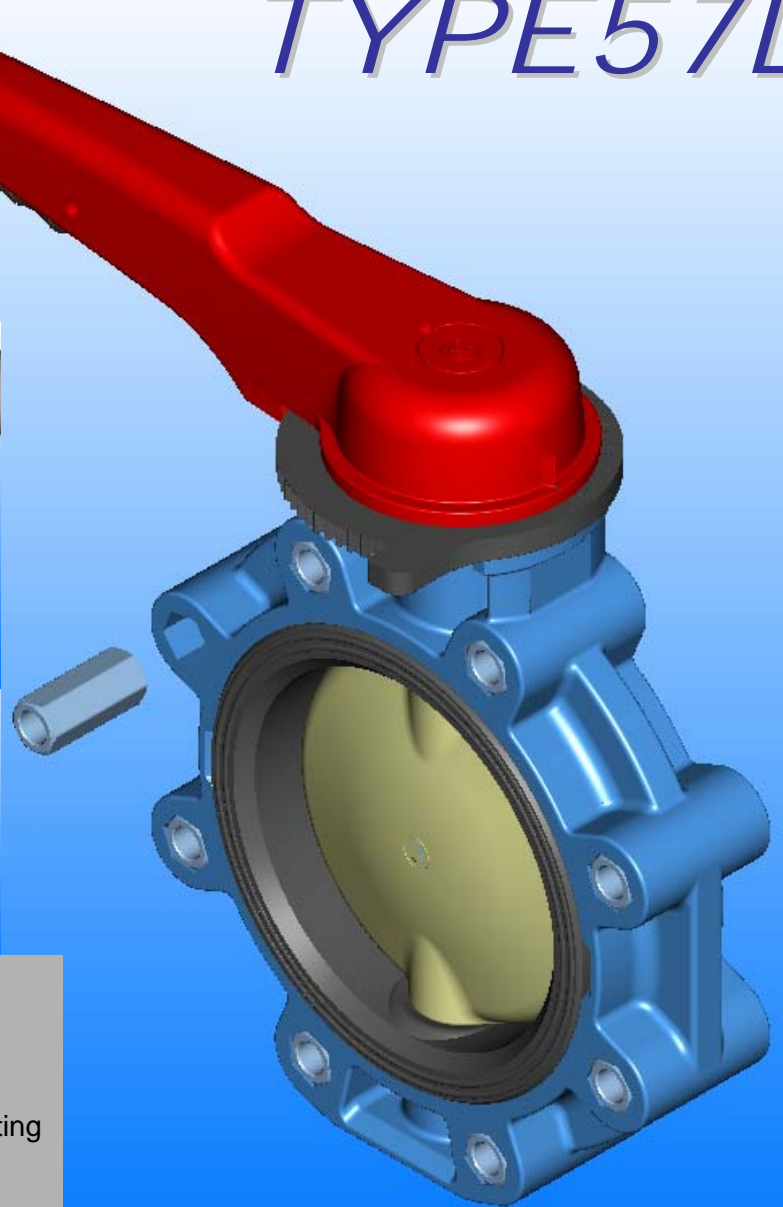
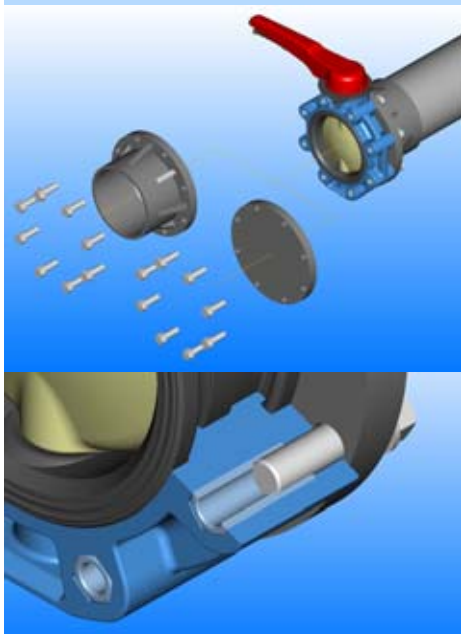
ASAHI **AV**

Lug Butterfly Valve

3", 4", 6", 8", 10", 12"

New

TYPE 57L



- Unique Design by 3D-CAD & FEM Analysis
- Excellent Sealing Performance
- Lowered Operating Torque
- Protection for Over Tightening of Mating Flanges
- Spherical Design Disc
- Stem Retainer
- Newly Developed Plastic Gear Box



ASAHI **AV** VALVES

ASAHI ORGANIC CHEMICALS INDUSTRY CO.,LTD.



It's Another Innovative

TYPE57L

Designed Industrial Product

SPECIFICATIONS

SIZES: 80mm(3") - 300mm(12")

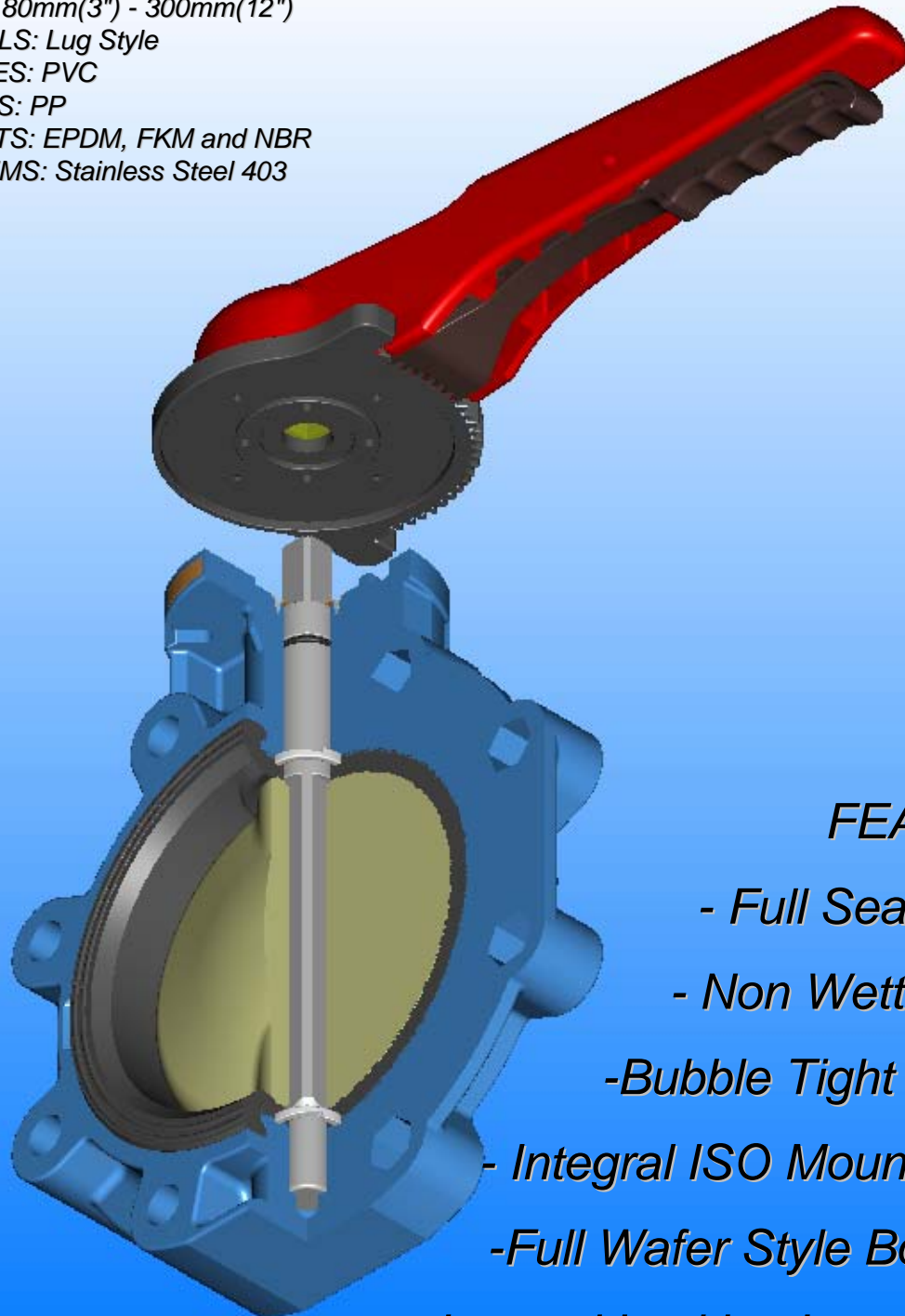
MODELS: Lug Style

BODIES: PVC

DISCS: PP

SEATS: EPDM, FKM and NBR

STEMS: Stainless Steel 403



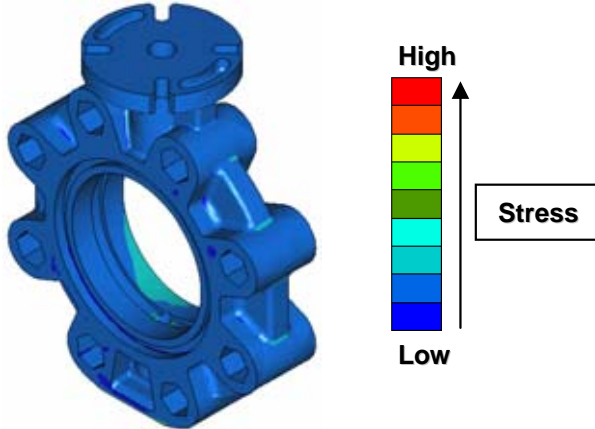
FEATURES

- *Full Seat Design*
- *Non Wetted Stem*
- *Bubble Tight Shut Off*
- *Integral ISO Mounting Pad*
- *Full Wafer Style Bolt Circle*
- *Integral Locking Lever Handle*
- *All Thermoplastic Construction*



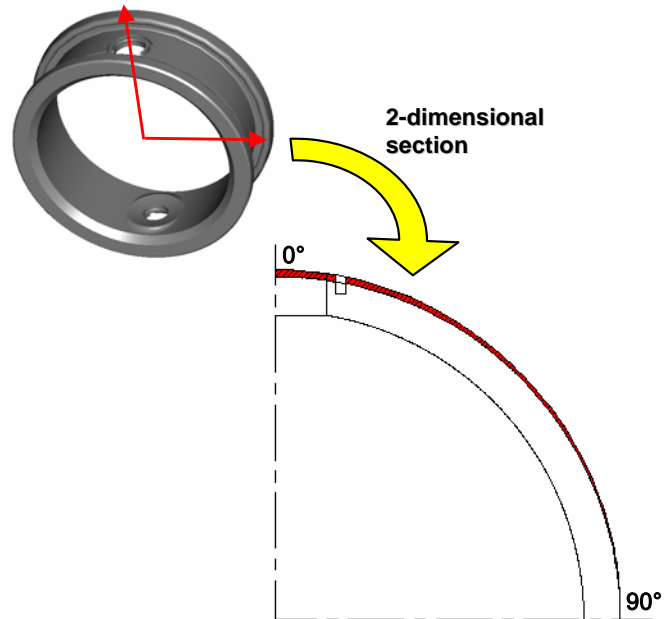
Unique Design by Utilizing 3D-CAD and FEM Analysis

Improved safety factors are achieved by utilizing 3D modeling and FEM analysis.



Simulated Condition (Example)
Size: 100mm (4")
Load Pressure: 1.0MPa(150PSI) Hydrostatic Pressure
Flange Tightening Torque: 22.5 N-m(16 Ft/Lbs.)

Excellent Sealing Performance



Sealing performance has been improved due to its specially design seat. "PAT Pending"

Lowered Operating Torque

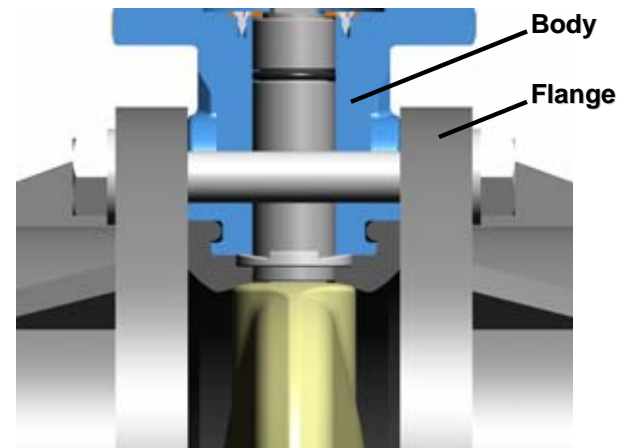
Required operating torque has been reduced by applying a specially designed seat.

80mm(3")	20 N-m(177 In-Lbs)
100mm(4")	30 N-m(266 In-Lbs)
150mm(6")	65 N-m(575 In-Lbs)
200mm(8")	165 N-m(1459 In-Lbs)
250mm(10")	250 N-m(2210 In-Lbs)
300mm(12")	330 N-m(2917 In-Lbs)

Operating Torque for Sealing at 1.0MPa(150PSI) Hydrostatic Pressure.

Protection for Over Tightening of Mating Flanges

The valve body acts as a protector against over tightening to avoid breakage or deformation of the seat.



Body contact flanges to protect the seat from deformation and to avoid increased operating torque.



TYPE 57L

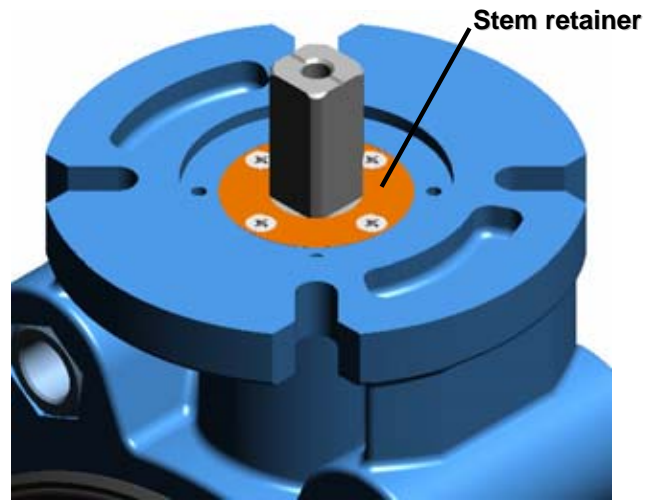
Spherical Design Disc

Spherical design disc provides superior durability and improved Cv value.

	30 °	60 °	90 °
80mm(3")	21	176	300
100mm(4")	33	276	470
150mm(6")	80	640	1100
200mm(8")	90	1450	2500
250mm(10")	120	1700	3860
300mm(12")	160	2600	5700

Stem Retainer

Stem retainer allows field automation or accessories preventing the stem from being removed.



Newly Developed Plastic Gear Box

Corrosion resistance plastic gearbox provides a broader range of applications.

NAMUR Mounting Dimension

NUMUR standard is applied on the gear box housing.

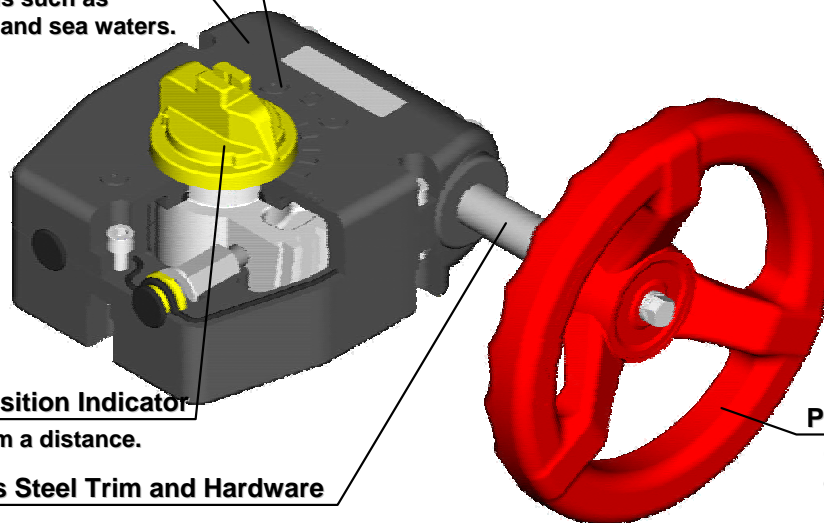
Plastic Gear Box Housing

Superior corrosion resistance allows applications such as severe chemicals and sea waters.

Highly Visible Position Indicator

Highly visible from a distance.

Stainless Steel Trim and Hardware



Plastic Hand Wheel

Corrosion resistance gripping design allows easy operation.



ASAHI AV LUG BUTTERFLY VALVE

Working Temperature VS. Pressure

Body Material	Working Temperature	Max. Working Pressure
Polyvinyl Chloride (PVC)	0 - 50 (30 - 120 ° F)	1.0MPa (150PSI)

Weight

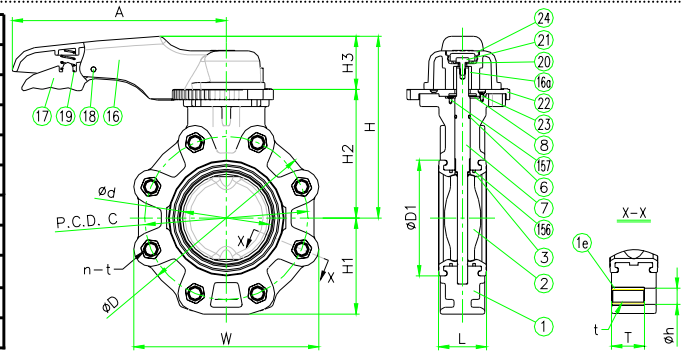
80mm(3")	2.2Kg(4.8Lbs)
100mm(4")	3.3Kg(7.3Lbs)
150mm(6")	6.7Kg(14.7Lbs)
200mm(8")	9.8Kg(21.6Lbs)
250mm(10")	18.6Kg(40.9Lbs)
300mm(12")	31.1Kg(68.4Lbs)

Vacuum Service

80mm(3")	-1013hPa
100mm(4")	-1013hPa
150mm(6")	-1013hPa
200mm(8")	-1013hPa
250mm(10")	-1013hPa
300mm(12")	-865hPa

Parts & Materials (Lever)

	DESCRIPTION	REQ'D	MATERIAL		DESCRIPTION	REQ'D	MATERIAL
①	BODY	1	U-PVC	⑮	PIN	1	PPG
⑮	LUG-INSERT	-	Stainless Steel 304	⑲	SPRING	1	Stainless Steel 304
②	DISC	1	PP	⑳	WASHER (A)	1	Stainless Steel 304
③	SEAT	1	EPDM,FKM,NBR	㉑	BOLT (B)	1	Stainless Steel 304
⑥	O-RING (C)	1	EPDM,FKM,NBR	㉒	LOCKING PLATE	1	PPG
⑦	STEM	1	Stainless Steel 403	㉓	SCREW (B)	4	Stainless Steel 304
⑧	STEM RETAINER (A)	1	PP	㉔	CAP (A)	1	PP
⑮	HANDLE (A)	1	PP	⑮	RETAINING RING	2	SCS13
⑮	HANDLE INSERTED METAL	1	Stainless Steel 316L	⑮	SCREW (F)	4	Stainless Steel 304
⑰	HANDLE LEVER	1	PPG				

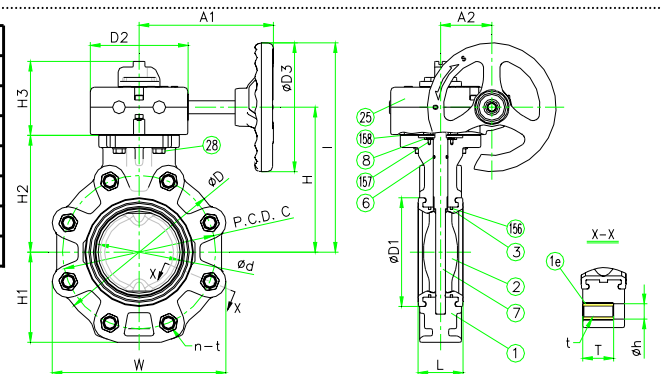


Dimensions (Lever)

NOMINAL SIZE		d	ANSI Class 150			D	D1	L	H	H1	H2	H3	A	W	t
Inch	mm		C	n	h										
3	80	3.03	6.00	4	0.75	8.31	4.13	1.81	7.52	4.15	5.31	2.20	9.84	7.09	5/8-11 UNC
4	100	4.02	7.50	8	0.75	9.37	5.28	2.20	8.11	4.69	5.91	2.20	9.84	8.50	5/8-11 UNC
6	150	5.91	9.50	8	0.88	11.22	7.48	2.80	9.92	5.61	7.20	2.72	12.60	10.67	3/4-10 UNC
8	200	7.68	11.75	8	0.88	13.39	9.53	3.43	11.14	6.69	8.43	2.72	15.75	12.76	3/4-10 UNC

Parts & Materials (Gear)

	DESCRIPTION	REQ'D	MATERIAL		DESCRIPTION	REQ'D	MATERIAL
①	BODY	1	U-PVC	㉕	GEAR BOX	1	VINYL ESTEL
⑮	LUG-INSERT	-	Stainless Steel 304	㉖	BOLT (C)	4	Stainless Steel 304
②	DISC	1	PP	⑮	RETAINING RING	2	SCS13
③	SEAT	1	EPDM,FKM,NBR	⑮	SCREW (F)	4	Stainless Steel 304
⑥	O-RING (C)	1	EPDM,FKM,NBR	⑮	GASKET (L)	1	EPDM
⑦	STEM	1	Stainless Steel 403				
⑧	STEM RETAINER (A)	1	PP				



Dimensions (Gear)

NOMINAL SIZE		d	ANSI Class 150			D	D1	D2	D3	L	H	H1	H2	H3	I	A1	A2	W	t
Inch	mm		C	n	h														
3	80	3.03	6.00	4	0.75	8.31	4.13	4.80	6.30	1.81	6.50	4.15	5.12	3.62	9.65	6.57	2.52	7.09	5/8-11 UNC
4	100	4.02	7.50	8	0.75	9.37	5.28	4.80	6.30	2.20	7.09	4.69	5.71	3.62	10.24	6.57	2.52	8.50	5/8-11 UNC
6	150	5.91	9.50	8	0.88	11.22	7.48	4.80	6.30	2.80	8.27	5.61	6.89	3.62	11.42	6.57	2.52	10.67	3/4-10 UNC
8	200	7.68	11.75	8	0.88	13.39	9.53	4.80	6.30	3.43	9.49	6.69	8.11	3.62	12.64	6.57	2.52	12.76	3/4-10 UNC
10	250	9.84	14.25	12	1.00	16.57	11.89	4.80	6.30	4.41	10.87	8.31	9.49	3.62	14.02	6.57	2.52	15.91	7/8-9 UNC
12	300	11.93	17.00	12	1.00	19.21	14.17	7.40	11.81	5.08	13.39	9.61	11.73	4.25	19.29	9.53	3.90	18.54	7/8-9 UNC



LUG BUTTERFLY VALVE TYPE57L

ASAHI ORGANIC CHEMICALS INDUSTRY CO., LTD.

- | | |
|----------------------------------|---|
| - Nobeoka Head Office | :2-5955 Nakanose-Cho Nobeoka-City Miyazaki-Pref., Japan 882-8688 |
| - Tokyo Head Office | :15-9 Uchikanda 2-Chome Chiyoda-Ku Tokyo, Japan 101-0047
Phone: +81-33254-8177, Fax: +81-33254-3473 |
| - Singapore Branch Office | :5 Shenton Way, #37-02/38-02 UIC Building, Singapore 068808
Phone: +65-6220-4022, Fax: +65-6324-6151 |
| - Europe Representative Office | :Kaiser-Friedrich-Promenade 61, D-61348 Bad Homburg, Germany
Phone: +49-6172-9175-0, Fax: +49-6172-9175-25 |
| - Shanghai Representative Office | :RM.1305. Orient International Plaza Part(C) No.85 Lou Shan Guan Road,
Shanghai China 200336
Phone: +86-21-6278-7862, Fax: +86-21-6278-7892 |

ASAHI/AMERICA,INC

:35 Green Street P.O. Box 653 Malden Massachusetts 02148 U.S.A.
Phone: +1-781-321-5409, Fax: +1-781-321-4421

Distributor

Contents in this catalog are subject to change without any prior notice.



ASAHI AV VALVES
ASAHI ORGANIC CHEMICALS INDUSTRY CO.,LTD.