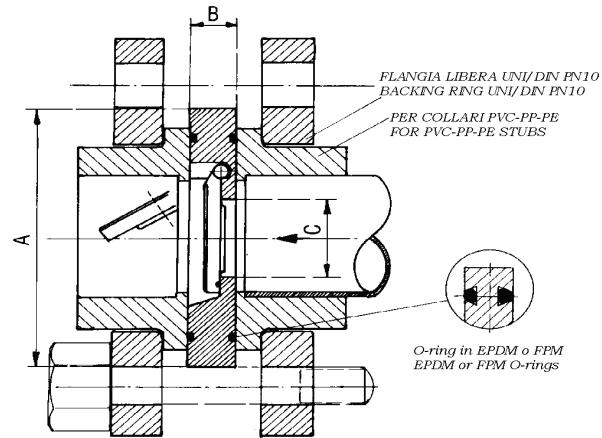


VALVOLE DI NON RITORNO A CLAPET
TIPO WAFER - CON MOLLA IN HASTELLOY
CHECK VALVES
WAFER TYPE - WITH HASTELLOY RETURN SPRING



		PVC	
D	DN	EPDM	FPM
40	32	105,18	107,28
50	40	107,04	109,02
63	50	112,72	117,79
75	65	118,53	123,72
90	80	135,84	140,41
110	100	161,05	166,37
140	125	191,83	194,42
160	150	229,15	235,58
225	200	365,11	375,37
280	250	501,32	555,33
315	300	699,33	730,23

		PP	
D	DN	EPDM	FPM
40	32	105,93	109,02
50	40	108,03	110,87
63	50	114,21	118,04
75	65	120,39	124,47
90	80	137,81	142,26
110	100	162,78	167,11
140	125	193,68	196,52
160	150	231,38	235,83
225	200	375,37	377,97
280	250	534,82	557,93
315	300	691,67	732,70

		PVDF
D	DN	FPM
40	32	137,57
50	40	139,67
63	50	142,26
75	65	158,70
90	80	188,98
110	100	245,84
140	125	334,21
160	150	447,43
225	200	1.043,80
280	250	1.154,42
315	300	3.720,11